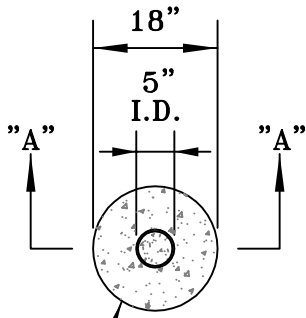
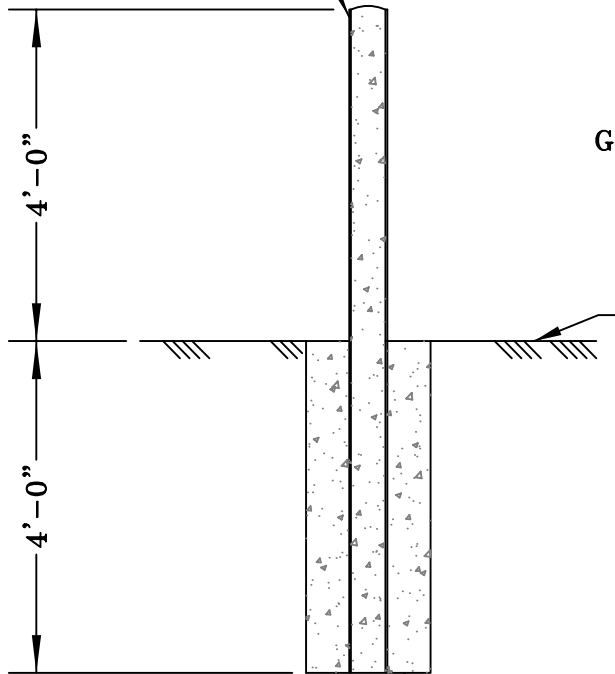


TOP VIEW



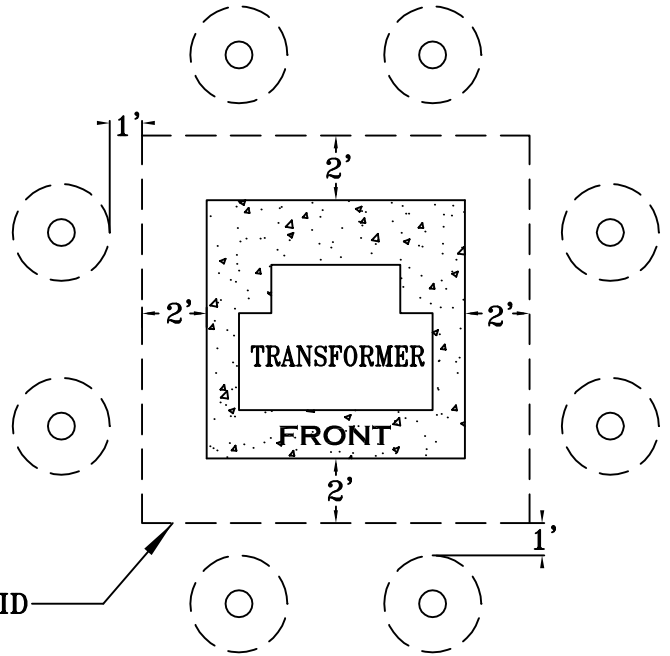
RIGID SCH. STEEL POST
5" I.D. X 8'-0" LONG,
CONCRETE FILLED



18" DIA. X 4'-0"
DEEP, CONCRETE
FILLED HOLE

SECTION "A-A" VIEW

TOP VIEW
OF
CORED PAD MOUNTED TRANSFORMER



TYPICAL
GUARD POST
ARRANGEMENT

Notes:

1. Developer is to furnish and install all guard posts and concrete as required.
2. Quantity and arrangement of guard posts are to be determined by location of CORED transformer in relation to vehicular traffic, while avoiding damage to ground grid. Call 425-1803 for assistance.
3. Guard posts are to be rigid sch. steel, 5" i.d. x 8'-0" long, concrete filled and set in an 18" diameter concrete filled hole.
4. Chance C1-12-0275 84" Bumper Posts are an acceptable substitute.

GUARD POST DETAILS

REV	DATE	DRWN	APPD	DESCRIPTION	SUPERSEDES: CORED482.R01	SCALE: NTS
1	1-01-10	PWS	MEB	HANDBOOK UPDATE.	DRWN: MESA	APPD: MEB
2	1-27-14	PWS	MAE	CLARIFIED GUARD POST SPACING	CORED STANDARD NUMBER	660 R 2