

Wrench-Lok grounding connectors are a safe, fast, reliable way to permanently join conductor-to-conductor, conductor-to-ground rod, or other grounding applications.

**Advantages:**

- Easy to Install — Using standard socket wrench, can be installed in virtually any condition or situation
- Reliable — “Spring-like” connector body ensures positive, permanent grip on conductors and rod
- Economical — No special tools means smaller tool inventory required for installation; simple application minimizes applied cost
- Compliant — Meets requirements of IEEE STD-837; UL File Number E69905; Canadian Standards Association File Number LR56476

**Applications:**

- Bonding
- Central Office/Headend
- Cable Vault
- Manhole
- CEV
- Cross-Connect Box (SAI)
- Pedestal
- Demarcation Points

## Wrench-Lok

### Grounding Grid Connectors

*Conductor-to-Ground Rod*

| <b>3/8<br/>Copper<br/>Clad<br/>.355 (9.02)</b> | <b>3/8<br/>Galvanized<br/>Steel<br/>.375 (9.52)</b> | <b>1/2<br/>Copper<br/>Clad<br/>.475 (12.06)</b> | <b>1/2<br/>Galvanized<br/>Steel<br/>.500 (12.70)</b> | <b>5/8<br/>Copper<br/>Clad<br/>.563 (14.30)</b> | <b>5/8<br/>Galvanized<br/>Steel<br/>.625 (15.88)</b> | <b>3/4<br/>Copper<br/>Clad<br/>.682 (17.32)</b> | <b>3/4<br/>Galvanized<br/>Steel<br/>.750 (19.05)</b> |     |                |
|--|---|---|--|---|--|---|--|-----|----------------|
| 83747-2  | 83747-2   | 83747-4   | 83747-4  | 83749-1   | 83749-2  | 83749-3   | 83749-4  | #2  | sol, str, cmpt |
| 83747-3  | 83747-3   | 83749-1   | 83749-1  | 83749-2   | 83749-3  | 83749-4   | 83748-3  | 1/0 | str, cmpt      |
| 83747-4  | 83747-4   | 83749-2   | 83749-2  | 83749-3   | 83748-1  | 83748-3   | 83748-4  | 2/0 | str, cmpt      |
|  |   | 83749-3   | 83749-3  | 83748-1   | 83748-2  | 83748-4   | 83551-1  | 3/0 | str, cmpt      |
|  |   | 83748-1   | 83748-1  | 83748-2   | 83748-4  | 83751-1   | 83751-2  | 4/0 | str, cmpt      |
|  |   |   |  | 83750-1   | 83748-4  | 83751-1   | 83751-2  | 250 | cmpt           |
|  |   |   |  | 83750-1   | 83751-1  | 83751-2   | 83751-3  | 250 | str            |
|  |   |   |  |   | 83751-1  | 83751-2   | 83751-3  | 300 | cmpt           |
|  |   |   |  |   | 83751-2  | 83751-3   | 83751-4  | 300 | str            |
|  |   |   |  |   | 83751-2  | 83751-3   | 83751-4  | 350 | cmpt           |
|  |   |   |  |   |  | 83751-3   | 83750-2  | 350 | str            |
|  |   |   |  |   |  | 83751-3   | 83751-4  | 400 | cmpt           |
|  |   |   |  |   |  |   | 83750-3  | 400 | str            |
|  |   |   |  |   |  |   | 83750-2  | 450 | cmpt           |
|  |   |   |  |   |  |   | 83750-5  | 450 | str            |
|  |   |   |  |   |  |   | 83750-3  | 500 | cmpt           |
|  |   |   |  |   |  |   | 83750-4  | 500 | str            |

*Conductor-to-Conductor*

| <b>#2<br/>sol, str</b> | <b>1/0<br/>str</b> | <b>2/0<br/>str</b> | <b>3/0<br/>str</b> | <b>4/0<br/>str</b> | <b>250<br/>str</b> | <b>300<br/>str</b> | <b>350<br/>str</b> | <b>400<br/>str</b> | <b>450<br/>str</b> | <b>500<br/>str</b> |     |          |
|------------------------|--------------------|--------------------|--------------------|--------------------|--------------------|--------------------|--------------------|--------------------|--------------------|--------------------|-----|----------|
| 83747-1                | 83747-2            | 83747-2            | 83747-3            | 83747-4            | 83749-1            | 83749-2            | 83749-3            | 83749-4            | 83749-4            | —                  | #2  | sol, str |
|                        | 83747-3            | 83747-3            | 83747-4            | 83749-1            | 83749-2            | 83749-3            | 83748-1            | 83748-3            | 83748-3            | 83751-1            | 1/0 | str      |
|                        |                    | 83747-4            | 83749-1            | 83749-2            | 83749-3            | 83748-1            | 83748-2            | 83748-3            | 83748-4            | 83751-1            | 2/0 | str      |
|                        |                    |                    | 83749-2            | 83749-3            | 83748-1            | 83748-2            | 83748-3            | 83748-4            | 83751-1            | 83751-2            | 3/0 | str      |
|                        |                    |                    |                    | 83748-2            | 83748-2            | 83748-4            | 83751-1            | 83751-1            | 83751-2            | 83751-3            | 4/0 | str      |
|                        |                    |                    |                    |                    | 83750-1            | 83751-1            | 83751-2            | 83751-2            | 83751-3            | 83751-3            | 250 | str      |
|                        |                    |                    |                    |                    |                    | 83750-2            | 83751-2            | 83751-3            | 83751-4            | 83750-2            | 300 | str      |
|                        |                    |                    |                    |                    |                    |                    | 83751-3            | 83751-4            | 83750-2            | 83750-3            | 350 | str      |
|                        |                    |                    |                    |                    |                    |                    |                    | 83750-2            | 83750-3            | 83750-5            | 400 | str      |
|                        |                    |                    |                    |                    |                    |                    |                    | 83750-5            | 83750-5            | 83750-4            | 450 | str      |
|                        |                    |                    |                    |                    |                    |                    |                    |                    | 83750-5            | 83750-6            | 500 | str      |

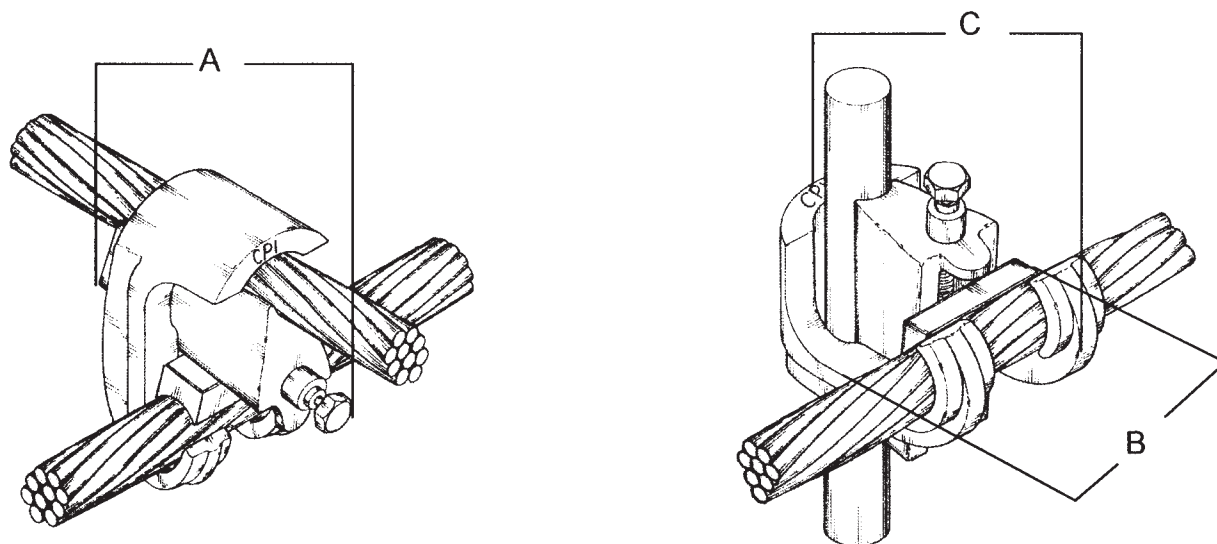
*Conductor-to-Conductor Compacted*

| <b>#2<br/>cmpt</b> | <b>1/0<br/>cmpt</b> | <b>2/0<br/>cmpt</b> | <b>3/0<br/>cmpt</b> | <b>4/0<br/>cmpt</b> | <b>250<br/>cmpt</b> | <b>300<br/>cmpt</b> | <b>350<br/>cmpt</b> | <b>400<br/>cmpt</b> | <b>450<br/>cmpt</b> | <b>500<br/>cmpt</b> |     |      |
|--------------------|---------------------|---------------------|---------------------|---------------------|---------------------|---------------------|---------------------|---------------------|---------------------|---------------------|-----|------|
| 83747-1            | 83747-2             | 83747-2             | 83747-3             | 83747-4             | 83747-4             | 83749-1             | 83749-2             | 83749-3             | 83749-3             | 83749-4             | #2  | cmpt |
|                    | 83747-3             | 83747-3             | 83747-4             | 83749-1             | 83749-2             | 83749-2             | 83749-3             | 83748-1             | 83748-2             | 83748-3             | 1/0 | cmpt |
|                    |                     | 83747-4             | 83749-1             | 83749-2             | 83749-2             | 83749-3             | 83748-1             | 83748-2             | 83748-3             | 83748-4             | 2/0 | cmpt |
|                    |                     |                     | 83749-2             | 83749-3             | 83748-1             | 83748-1             | 83748-2             | 83748-3             | 83748-4             | 83751-1             | 3/0 | cmpt |
|                    |                     |                     |                     | 83748-1             | 83748-2             | 83748-2             | 83748-4             | 83748-4             | 83751-1             | 83751-1             | 4/0 | cmpt |
|                    |                     |                     |                     |                     | 83750-1             | 83750-1             | 83748-4             | 83751-1             | 83751-2             | 83751-2             | 250 | cmpt |
|                    |                     |                     |                     |                     |                     | 83750-1             | 83751-1             | 83751-1             | 83751-2             | 83751-3             | 300 | cmpt |
|                    |                     |                     |                     |                     |                     |                     | 83751-2             | 83751-2             | 83751-3             | 83751-3             | 350 | cmpt |
|                    |                     |                     |                     |                     |                     |                     |                     | 83751-3             | 83751-4             | 83751-4             | 400 | cmpt |
|                    |                     |                     |                     |                     |                     |                     |                     |                     | 83750-2             | 83750-2             | 450 | cmpt |
|                    |                     |                     |                     |                     |                     |                     |                     |                     |                     | 83750-3             | 500 | cmpt |

*Replacement Bolts Part Number*

| <b>Small Body</b> | <b>Large Body (indicated by shading)</b> |
|-------------------|--|
| 81249-1           | 81249-2                                  |

# 4/0 Series Ground Grid Connector Specifications



| Dimensions |       | Materials                    |  |
|------------|-------|------------------------------|--|
| <b>A</b>   | 3"    | <b>Drive Screw Mechanism</b> | Silicon Bronze   |
| <b>B</b>   | 2.13" | <b>Interface</b>             | High-Conductivity <b>319</b> Contact Copper <i>Casting</i> |
| <b>C</b>   | 2.7"  | <b>Connector Body</b>        | High-Strength <b>415</b> Aluminum Bronze <i>Casting</i>    |

## 4/0 Series Ground Grid Connector Part Number List and Wire Selection Guide

| Catalog Number | FROM  | TO   | Total Sum of Conductor's Diameters |
|----------------|---|--|------------------------------------|
|                | Wire Description                                | Wire Description                                 |                                    |
| 900100         | 350 MCM (.681") 3/4" ROD (.680")                | 250 MCM (.575") 5/8" ROD (.556")                 | 1.256" - 1.150"                    |
|                | 300 MCM (.630")                                 | 4/0 STR (.522")                                  |                                    |
|                | 250 CM (.575")                                  | 250 MCM (.575")                                  |                                    |
| 900101         | 250 MCM (.575") 4/0 STR (.522")                 | 250 MCM (.575") 5/8" ROD (.556") 4/0 STR (.522") | 1.044" - 1.150"                    |
|                | 250 MCM (.575")                                 | 1/2" ROD (.472")                                 |                                    |
| 900102         | 250 MCM (.575") 5/8" ROD (.556")                | 2/0 MCM (.419") 1/0 STR (.368")                  | .890" - .994"                      |
|                | 4/0 STR (.522")                                 | 2/0 STR (.368")                                  |                                    |
| 900103         | 1/2" ROD (.472")                                | 2/0 STR (.419") 1/0 STR (.368")                  | .736" - .838"                      |
|                | 2/0 STR (.419") 1/0 STR (.368")                 | 2/0 STR (.419") 1/0 STR (.368")                  |                                    |
| 900104         | 5/8 ROD (.556") 1/2 ROD (.472") 4/0 STR (.522") | #2 STR (.292")                                   | .706" - .825"                      |
|                | 250 MCM (.575") 4/0 STR (.522")                 | #4 STR (.232") #6 STR (.184")                    |                                    |
| 900105         | #1 STR (.328")                                  | #1 STR (.328")                                   | .464" - .564"                      |
|                | #4 STR (.232") #2 STR (.282")                   | #4 STR (.232") #2 STR (.282")                    |                                    |

### Standard Package

| Size        | Quantity | Weight    |
|-------------|----------|-----------|
| Full Carton | 40 Units | 49 Pounds |