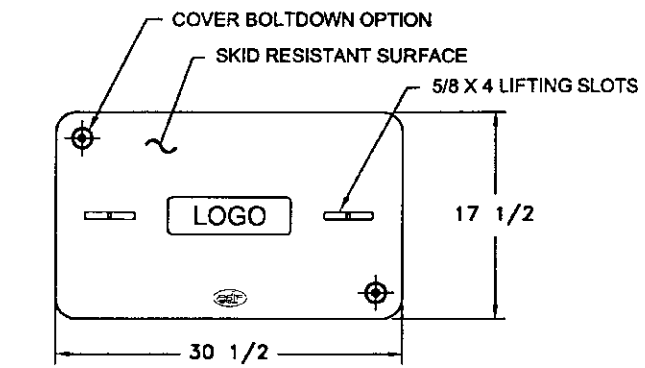
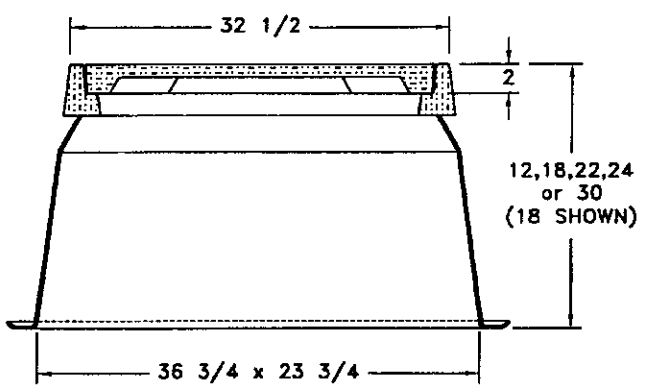


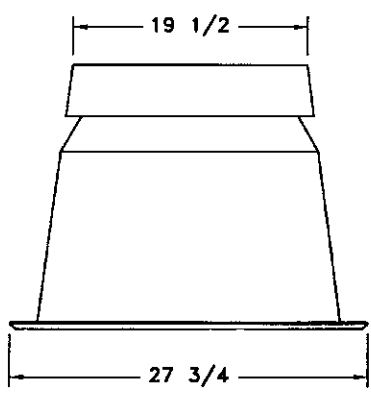
TOP VIEW



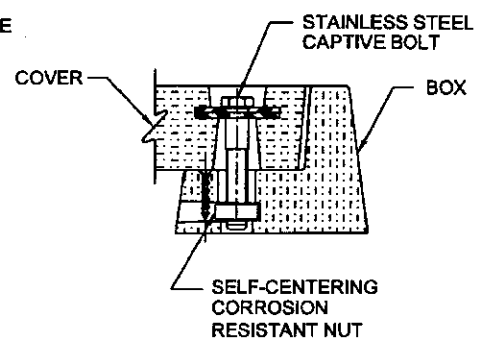
COVER
OPTIONAL CAST IRON READER LIDS AVAILABLE



BOX & COVER SECTION

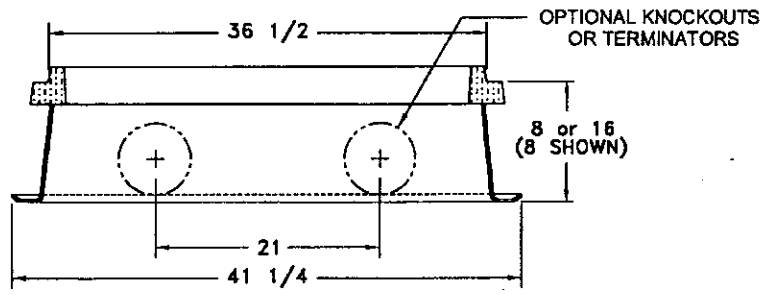


END VIEWS

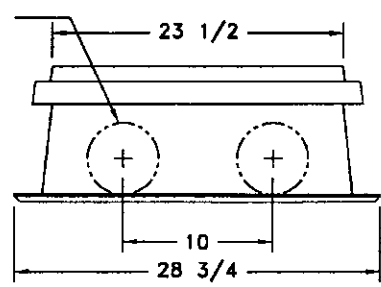


COVER BOLTDOWN OPTION

- MATERIAL: FIBERGLASS REINFORCED POLYMER CONCRETE & FIBERGLASS REINFORCED POLYMER
- STANDARD COLOR: CONCRETE GRAY
- (OPTIONAL COLORS AVAILABLE FOR COVER AND COLLAR)
- FLARED WALL BOXES ARE NESTABLE



EXTENSION SECTION



cdr SYSTEMS CORP
146 SOUTH ATLANTIC AVE., ORMOND BEACH, FL 32176

TITLE
**17 x 30 FLARED WALL SERIES
BOX, COVER & EXTENSION**

DRAWN	E HODGKINS	DATE	7/1/02
CHECKED		A SIZE	021-0001
APPROVED	AOK		