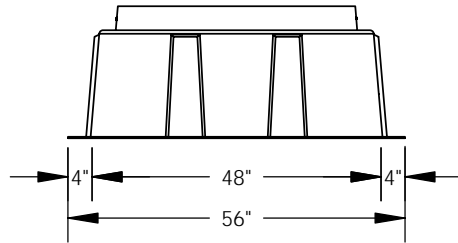
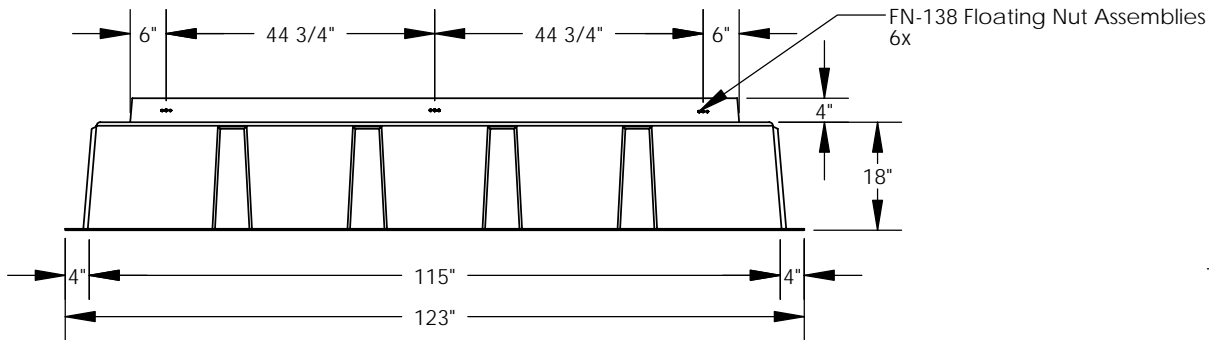
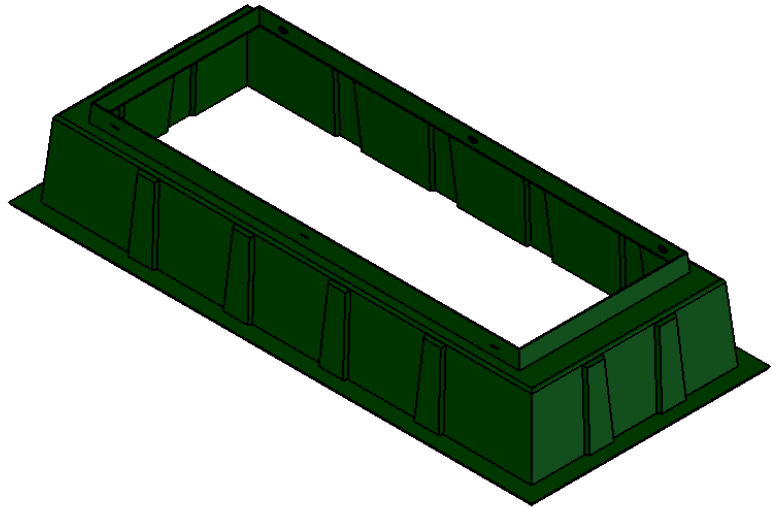
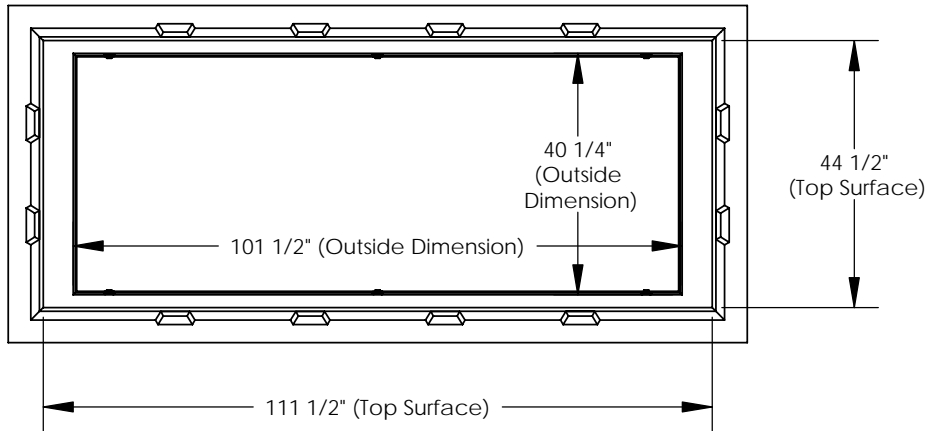


REVISIONS			
REV.	DESCRIPTION	DATE	APPROVED



Includes:
 6 - 3/8"-16x1-1/2" SS HH Bolts
 6 - 3/8" Flat Washers

Nordic Fiberglass, Inc.

21415 US Hwy 75 NW, Warren, MN 56762
 www.nordicfiberglass.com
 218-745-5095 ph. --- 218-745-4990 fax

ND-325-MG-18EXT

PROPRIETARY AND CONFIDENTIAL
 THE INFORMATION CONTAINED IN THIS DRAWING IS THE SOLE PROPERTY OF NORDIC FIBERGLASS, INC. ANY REPRODUCTION IN PART OR AS A WHOLE WITHOUT THE WRITTEN PERMISSION OF NORDIC FIBERGLASS, INC. IS PROHIBITED.

Customer Name: N/A		
DIMENSIONS ARE IN INCHES TOLERANCES: ANGLES ± 1°		
FRACTIONAL ± 1/32		
ONE PLACE DECIMAL ± .060		
TWO PLACE DECIMAL ± .030		
THREE PLACE DECIMAL ± .015		
MATERIAL	NAME	DATE
DRAWN	R.L.J.	08/22/06
CHECKED	---	--/--

SIZE	ITEM ID:	REV.
A	02790.96	PRE-01+
SCALE:1:32	WEIGHT: 129.805	SHEET 1 OF 1